

PL60MPS

Polished Stainless Centrefeed Dispenser



Product Features:

- Dispenses Standard Centrefeed Roll Paper
- Polished Stainless Steel
- 304L Grade Stainless Steel / 240g
- Key Lockable

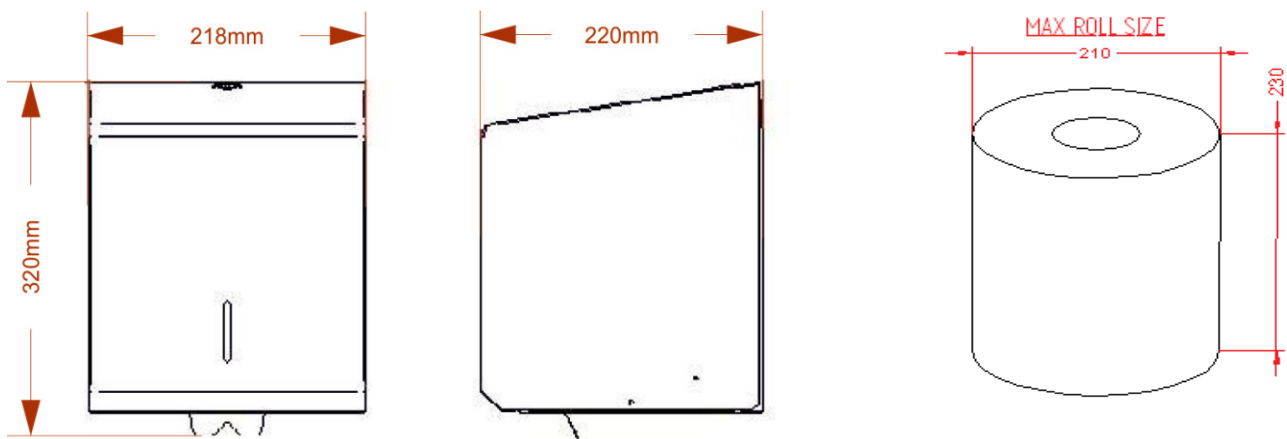
Manufactured in the UK

Compact and sturdy dispenser designed in ultra modern style with slim line lock. Accommodating a full size centre feed roll, this product will easily dispense perforated or non-perforated paper.

All hand contact areas are protected by a powder coated steel finish. Ideal in kitchen areas.

Made in a highly polished stainless steel finish.

Product Dimensions:



Height: 320mm Width: 218mm Depth: 220mm Weight: 3.4Kg Capacity: 210mm Standard C/feed Roll